

**Patented level adjustment  
with ramp lift**

**Robust and powerful for  
high throughput efficiency**

**Ideal for hardest applications  
with heavy loads**

**Adjustment over uneven floors  
with sprung and cushioned  
support wheels**



## **EJE 220r/222r**

### **Electric pedestrian operated pallet truck (2000 and 2200 kg)**

The EJE Series 2 pallet trucks are used wherever there is a lot of activity and where high productivity is required: during lorry loading and offloading over ramps; in hard continuous operations with heavy loads; in 2-shift or even 3-shift operations. Here, the advantages of the EJE are particularly effective:

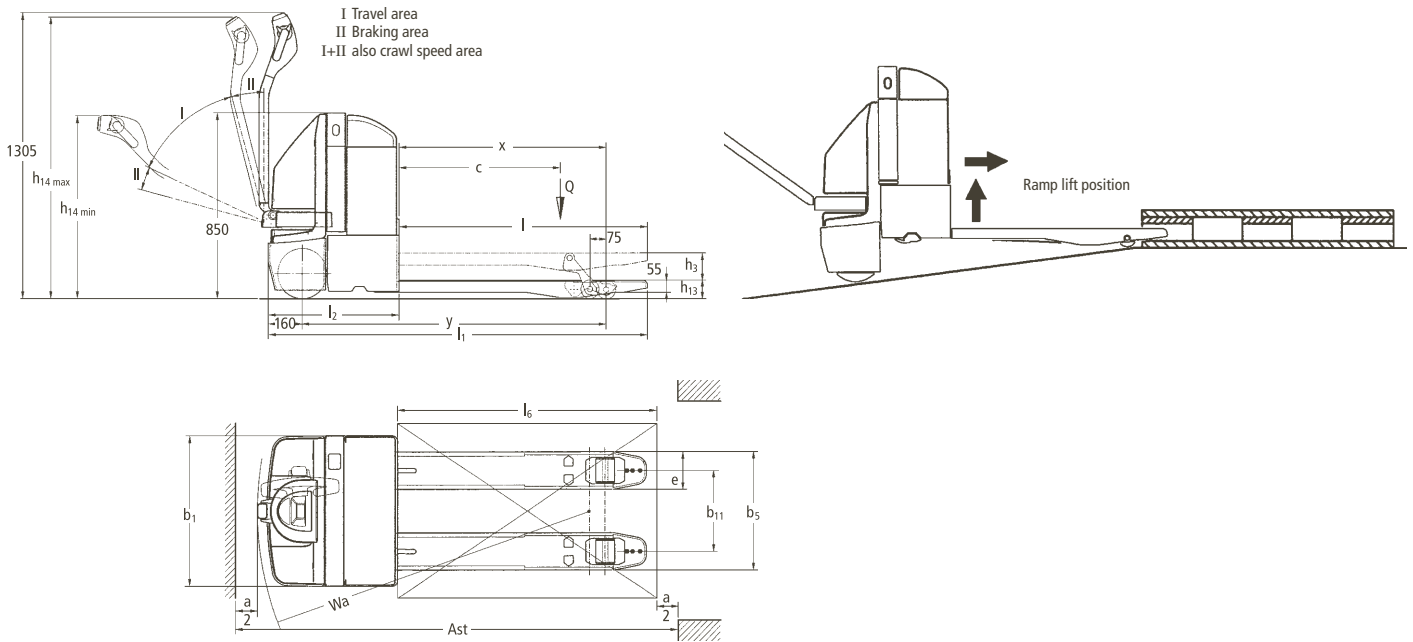
- Extremely robust chassis and load section
- High capacities
- Powerful motors
- State-of-the-art control electronics
- Excellent energy management

In addition to the normal lift, the trucks are equipped with a patented ramp lift

that facilitates level adjustment on ramps with gradients up to 15%. The ramp lift works separately from the normal lift. The first pallet row on lorries can be loaded and offloaded without any problem.

The required energy for such demanding performance is drawn from batteries up to 375 Ah.

# EJE 220r/222r



# Technical Data in line with VDI 2198 as at: 09/2007

|                  |                |  |   |                           |                           |      |
|------------------|----------------|--|---|---------------------------|---------------------------|------|
| Identification   | 1.1            | Manufacturer (abbreviation)                      |   | Jungheinrich              | Jungheinrich              | 1.1  |
|                  | 1.2            | Manufacturer's type designation                  |   | <b>EJE 220r</b>           | <b>EJE 222r</b>           | 1.2  |
|                  | 1.3            | Drive  |   | electric                  | electric                  | 1.3  |
|                  | 1.4            | Operator type                                    |   | pedestrian                | pedestrian                | 1.4  |
|                  | 1.5            | Load capacity/rated load                         | Q (t)                                       | 2                         | 2.2                       | 1.5  |
|                  | 1.6            | Load centre distance                             | c (mm)                                      | 600                       | 600                       | 1.6  |
|                  | 1.8            | Load distance, centre of drive axle to fork      | x (mm)                                      | 909 <sup>2)</sup>         | 909 <sup>2)</sup>         | 1.8  |
|                  | 1.9            | Wheelbase  | y (mm)                                      | 1340 <sup>2)</sup>        | 1340/1410 <sup>2)4)</sup> | 1.9  |
|                  | Weights        | 2.1  | Service weight incl. battery (see line 6.5) | kg                        | 581                       | 581  |
| 2.2              |                | Axle loading, laden front/rear                   | kg  | 880/1700                  | 920/1860                  | 2.2  |
| 2.3              |                | Axle loading, unladen front/rear                 | kg  | 450/131                   | 450/131                   | 2.3  |
| Wheels, Chassis  | 3.1            | Tyres  |   | Vulkollan®                | Vulkollan®                | 3.1  |
|                  | 3.2            | Tyre size, front                                 | mm  | 230x70                    | 230x70                    | 3.2  |
|                  | 3.3            | Tyre size, rear                                  | mm  | 85x110                    | 85x110                    | 3.3  |
|                  | 3.4            | Additional wheels (dimensions)                   | mm  | 100x40                    | 100x40                    | 3.4  |
|                  | 3.5            | Wheels, number front rear (x = driven wheels)    |   | 1x+2/2                    | 1x+2/2                    | 3.5  |
|                  | 3.6            | Tread, front                                     | b <sub>10</sub> (mm)                        | 476                       | 476                       | 3.6  |
|                  | 3.7            | Tread, rear                                      | b <sub>11</sub> (mm)                        | 370                       | 370                       | 3.7  |
| Basic Dimensions | 4.4            | Lift (standard mast)                             | h <sub>3</sub> (mm)                         | 125                       | 125                       | 4.4  |
|                  | 4.9            | Height of tiller in drive position min./max.     | h <sub>14</sub> (mm)                        | 850/1305                  | 850/1305                  | 4.9  |
|                  | 4.15           | Height, lowered                                  | h <sub>13</sub> (mm)                        | 85                        | 85                        | 4.15 |
|                  | 4.19           | Overall length                                   | l <sub>1</sub> (mm)                         | 1760                      | 1760/1830 <sup>4)</sup>   | 4.19 |
|                  | 4.20           | Length to face of forks                          | l <sub>2</sub> (mm)                         | 610                       | 610/680 <sup>4)</sup>     | 4.20 |
|                  | 4.21           | Overall width                                    | b <sub>1</sub> /b <sub>2</sub> (mm)         | 690/-                     | 690/-                     | 4.21 |
|                  | 4.22           | Fork dimensions                                  | s/e/l (mm)                                  | 55x170x1150               | 55x170x1150               | 4.22 |
|                  | 4.25           | Distance between fork-arms                       | b <sub>5</sub> (mm)                         | 540                       | 540                       | 4.25 |
|                  | 4.32           | Ground clearance, centre of wheelbase            | m <sub>2</sub> (mm)                         | 30                        | 30                        | 4.32 |
|                  | 4.33           | Aisle width for pallets 1000x1200 crossways      | Ast (mm)                                    | 1971 <sup>1)</sup>        | 1971/2041 <sup>1)4)</sup> | 4.33 |
|                  | 4.34           | Aisle width for pallets 800x1200 lengthways      | Ast (mm)                                    | 2021 <sup>3)</sup>        | 2021/2091 <sup>3)4)</sup> | 4.34 |
| 4.35             | Turning radius | Wa (mm)  | 1530 <sup>2)</sup>                          | 1530/1600 <sup>2)4)</sup> | 4.35                      |      |
| Performance Data | 5.1            | Travel speed, laden/unladen                      | km/h  | 6.0/6.0                   | 6.0/6.0                   | 5.1  |
|                  | 5.2            | Lift speed, laden/unladen                        | m/s   | 0.051/0.067               | 0.049/0.067               | 5.2  |
|                  | 5.3            | Lowering speed, laden/unladen                    | m/s   | 0.06/0.06                 | 0.06/0.06                 | 5.3  |
|                  | 5.8            | Max. gradeability, laden/unladen                 | %   | 10/20                     | 9/20                      | 5.8  |
|                  | 5.10           | Service brake                                    |   | electromagnetic           | electromagnetic           | 5.10 |
| Electric Engine  | 6.1            | Drive motor rating S <sub>2</sub> 60 min.        | kW  | 1.3                       | 1.5                       | 6.1  |
|                  | 6.2            | Lift motor rating at S <sub>3</sub> 10%          | kW  | 1.5                       | 1.5                       | 6.2  |
|                  | 6.3            | Battery acc. to DIN 43531/35/36 A, B, C, no      |   | DIN B                     | DIN B                     | 6.3  |
|                  | 6.4            | Battery voltage, nominal capacity K <sub>5</sub> | V/Ah  | 24/180                    | 24/180/375 <sup>4)</sup>  | 6.4  |
|                  | 6.5            | Battery weight                                   | kg  | 180                       | 180                       | 6.5  |
| Others           | 8.1            | Type of drive control                            |   | SpeedControl              | SpeedControl              | 8.1  |

- 1) load section lowered: +75 mm; diagonal according to VDI: +366 mm  
 2) load section lowered: +75 mm  
 3) load section lowered: +75 mm; diagonal according to VDI: +204 mm  
 4) short/long battery compartment

# Make use of the advantages

## Level adjustment with ramp lift

In addition to the normal lift, the trucks are equipped with a patented ramp lift that facilitates level adjustment on ramps with gradients up to 15%. The ramp lift works separately from the normal lift. The first pallet row on lorries can be loaded and offloaded without any problem.



Patented ramp lift

## Powerful drive motor and "intelligent" controls

Advanced shunt-wound drive technology and control electronics (SpeedControl) ensure safe travel characteristics with adjustment opportunities to suit every application:

- The speed stipulated on the travel switch will be kept in every travel situation – also on uphill and downhill gradients.
- The EJE will brake automatically preventing unintentional rolling on ramps.
- Individually adjustable travel parameters facilitate optimum adjustment to suit any requirement.
- Energy reclamation with regenerative braking on deceleration
- 2-year warranty on drive motor.



Collision protection on battery compartment

## Robust construction for hardest applications

- Chassis made of high quality 8 mm steel.
- Additional collision protection on battery compartment to guard against "dynamic" loads.
- Full rated load capacities up to fork tips (standard fork overhang).

## Long operating times

Battery capacities up to 375 Ah ensure long operating times:

- Short version: 2 EPzS 180/250 Ah.
- Long version: 2 EPzS 375 Ah.

## Stability during travel

Hard applications can also include doorway thresholds or passing over ramps. The EJE 220r/222r also masters these challenges:

- Spiral springs on support rollers even out uneven floors.
- Additional cushioning prevents shocks transferring through the chassis.

## Reduced maintenance

Service-friendly components ensure long-term reduction of operating costs:

- Easy access to all components through the one-piece front cover.
- A drill hole in the chassis apron facilitates quick and easy removal of the drive wheel.

## Well-informed at any time

Control instruments give the operator a good feeling of having everything under control at any time:

- Information display "CanDis" (optional) with battery discharge indicator with lift lockout as well as an additional operating hour meter and service code memory.

## Additional equipment

- Load section for sideways battery removal.
- Cold store version.
- Entry rollers.
- Vertical load guard.



Travel stability with sprung support rollers

## Jungheinrich UK Ltd.

Head Office:

Sherbourne House · Sherbourne Drive  
Tilbrook · Milton Keynes MK7 8HX  
Phone 01908 363100  
Fax 01908 363180

info@jungheinrich.co.uk  
www.jungheinrich.co.uk

Jungheinrich AG  
ISO 9001, ISO 14001  
Certification of Quality and  
Environment Management.



Jungheinrich trucks  
conform to the European  
Safety Requirements.



**JUNGHEINRICH**  
Well worthwhile